

High Speed Trailer Tyres

Capacity @ 100kmh Kg/Axle	Tyre Size	LI / SS	Overall Diameter mm	Width mm	SLR mm	Max Pressure Bar (Psi)	Fits Wheel
750	145 R 10	74N	492	147	220	2.4 (35)	101/2
880	5.00 x 10 x 6 Ply	79M	525	141	240	4.0 (58)	101/2
824	20.5 x 8-10 4 Ply	77M	528	208	244	2.4 (35)	105
1000	5.00 x 10 8 Ply	84N	525	141	240	5.0 (72)	103
1000	145 R 10 C 8	84N	492	147	225	4.5 (65)	103
1500	195/55 R 10 C	98P	468	198	218	6.2 (90)	104
1800	155/70 R 12 C	104N	523	157	237	6.5 (95)	121/2/3
825	145/70 R 13	78N	534	145	251	3.2 (46)	132
1000	155 R 13	84N	578	157	268	2.7 (39)	131
1420	165 R 13 C 8	96N	598	167	278	4.5 (65)	131
1500	175 R 13 C 8	97N	610	178	274	4.5 (65)	131
1800	195/50 R 13 C	104N	526	195	244	6.5 (94)	133/4/5
1900	185/70 R 13 C	106N	596	194	282	6.0 (87)	133/4/5
1800	185 R 14 C 8	104N	652	189	304	4.5 (65)	141
1995	195 R 14 C 8	106N	666	198	311	4.5 (65)	141/2
2160	205 R 14 C 8	109N	686	208	318	4.5 (65)	142
2100	6.50 R 16 C 10	108N	742	184	345	4.5 (65)	161
2900	7.50 R 16 C 12	121N	805	210	375	6.5 (94)	161
(Limited to 2600kg on 161 Wheel)							
2300	205/75 R 16 C	113R	714	206	323	5.85 (85)	161
2500	215/75 R 16 C	116R	728	216	342	5.00 (70)	161
3200	205/75 R 17.5	124M	753	204	339	7.5 (109)	171
4360	215/75 R 17.5	135J	767	211	351	8.5 (123)	171

LI = Load Index

SS = Speed Symbol

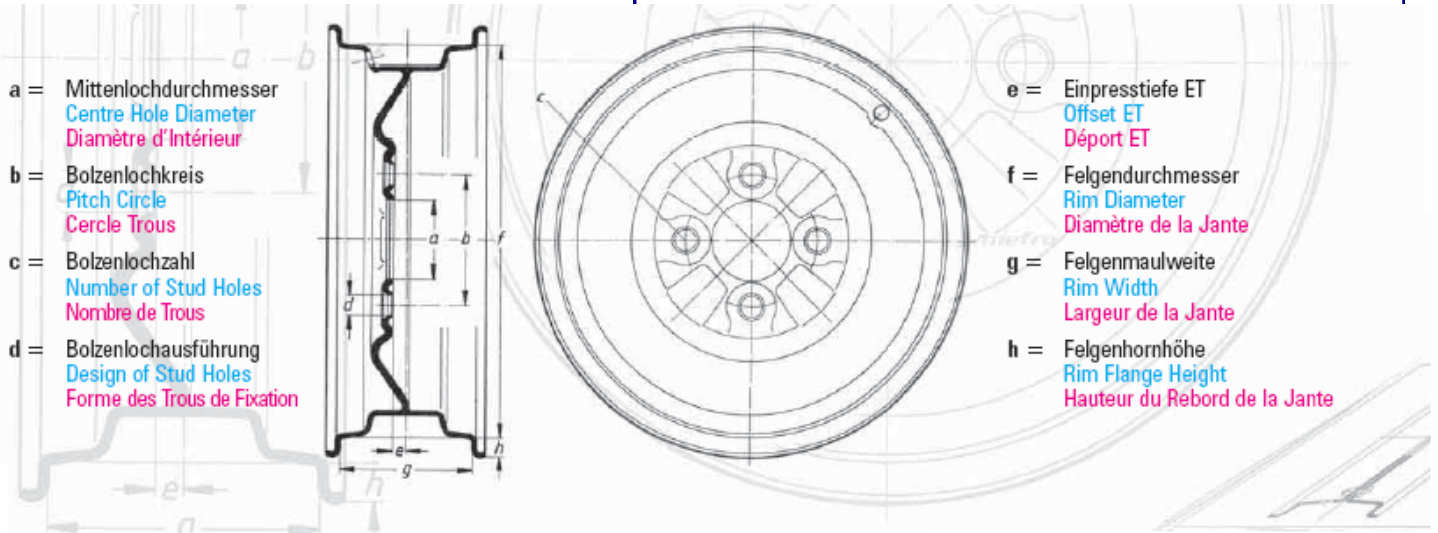
J=100, L=120, M=130, N=140,
P=150, Q=160, T=190 KMH

For a full **Load Index** listing,
please see our Service and
Maintenance information.



Other tyres are available, please ask if the size you require is not listed

High Speed Trailer Wheels



Wheel Reference	Rim Size (Width x Dia)	Centre Hole	Offset ET	PCD	Wheel Nut Seating	Fits Tyre
101	3.50 x 10	67	Zero	4 on 4"	11mm Sph	145 R 10 500 x 10 x 6 Ply
102	3.50 x 10	60	Zero	4 on 100mm	60°	145 R 10
103	3.50 x 10	95	6.35mm +	4 on 5½"	60°	5.00 x 10 x 8 Ply 145 R 10 C 8
104	6.00 x 10	67	6.35mm +	5 on 112mm	60°	195/55 R 10
105	6.00 x 10	60	3.0mm +	4 on 100mm	60°	20.5 x 8-10 4 Ply
121	4J x 12	95	Zero	4 on 5½"	60°	155/70 R 12 C
122	4½J x 12	115	Zero	5 on 6½"	80°	155/70 R 12 C
123	4½J x 12	94	Zero	5 on 140mm	14mm Sph	155/70 R 12 C
131	4½J x 13	95	26	4 on 5½"	60°	155 R 13 165 R 13 C 8 175 R 13 C 8
132	4½J x 13	60	30	4 on 100mm	60°	145/70 R 13
133	5½J x 13	95	32	4 on 5½"	60°	185/70 R 13 C 195/50 R 13 C
135	6J X 13	115	7	5 on 6½"	80°	185/70 R 13 C 195/50 R 13 C
141	5½J x 14	103	39	5 on 6"	60°	185 R 14 C 8 195 R 14 C 8 205 R 14 C 8
142	5½J x 14	94	30	5 on 140mm	14mm Sph	205 R 14 C 8
161	5.50J x 16	115	33	5 on 6½"	80°	205/75 R 16 C 215/75 R 16 C 7.50 R 16 C 8
171	6.0 x 17.5	161	Zero	6 on 205mm	16mm Sph	205/75 R 17.5 124M 215/75 R 17.5 135J