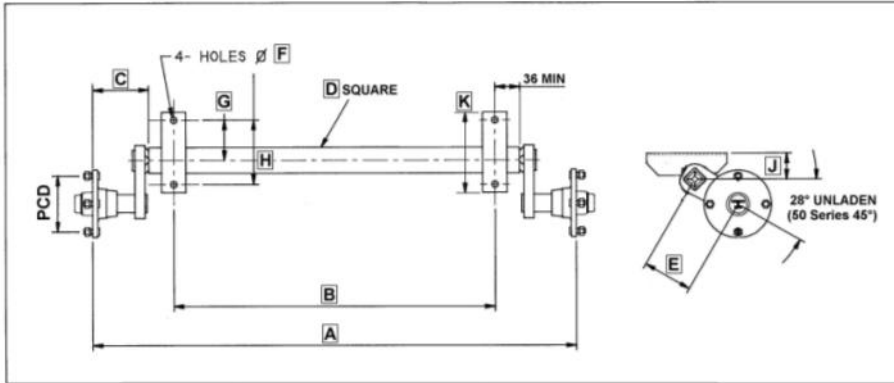


Unbraked Rubber Suspension Axles



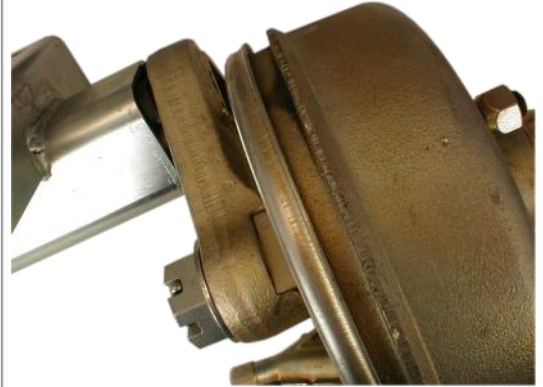
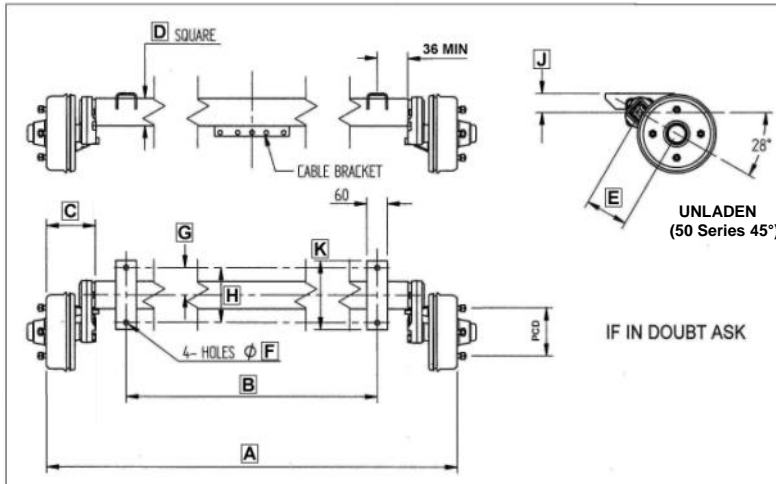
TYPE	CAPACITY RANGE KG	A	B	C	D	E	F	G	H	J	K	PCD
50 Series 300 to 500kg												
RSA030505	300	To Customer Specification		S 81 L 106	50	76	14	105	160	45	200	9
RSA050505	500			S 81 L 106								9
RSA0501345	500			112								2 9
64 Series 750 to 900kg												
RSA075505	750 / 900	To Customer Specification		S 107 M 127 L 143	64	124	14	100	160	65	200	9
RSA0751443	750 / 900			144								1 2 3 8
80 Series 1300 to 1600kg												
RSA1301263	1300 / 1600	To Customer Specification		144	80	124	14	80	160	55	200	1 3 4 5 6 10
100 Series 1800 to 2300kg												
RSA180250UB	1800 / 2300	To Customer Specification		158	100	150	17	80	160	65	200	5 6
120 Series 3000 to 3500kg												
RSA300751	3000 / 3500	To Customer Specification		215	120	150	18	90	226	80	274	6 7

STANDARD WHEEL STUD PATTERNS			
1	4 x 1/2" on 5 1/2" PCD	6	5 x 5/8" on 6 1/2" PCD
2	4 x M12 on 100mm PCD	7	6 x M18 on 205mm PCD
3	5 x 1/2" on 4 1/2" PCD	8	4 x M12 on 98mm PCD
4	5 x 1/2" on 6" PCD	9	4 x 3/8" on 4" PCD
5	5 x M14 on 140mm PCD	10	5 x M12 on 112mm PCD

All axles are fitted with Welded Trailing Arms.
80 series axles are available with detachable stub axles, at extra cost
Alternative Trailing Arm Angles and Mounting Bracket Styles are also available.

Unbraked Axles are not permitted on Road Trailers above 750kg Gross Trailer Weight.
For Off Road applications, please contact our Technical Sales Department

Braked Rubber Suspension Axles



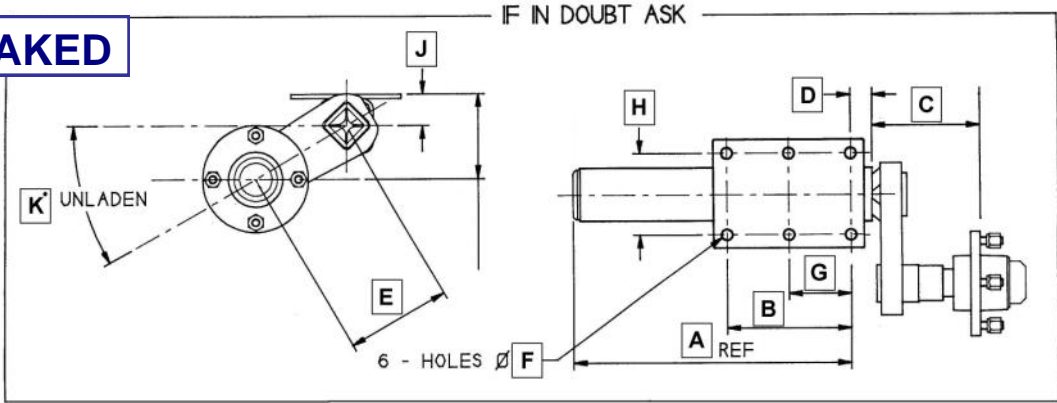
TYPE	CAPACITY KG	A	B	C	D	E	F	G	H	J	K	PCD
50 Series 300 to 500kg												
RSA050160	500	To Customer Specification		112	50	76	14	105	160	45	200	2 9
64 Series 750 to 900kg												
RSA090160	900	To Customer Specification		129	64	124	14	100	160	65	200	2 9
RSA090203	900		144	1 2 8								
80 Series 1300 to 1600kg												
RSA130203	1300	To Customer Specification		144	80	124	14	80	160	55	200	1 3 4 5 6 10
RSA150200	1500		150	1 3 4 5 6 10								
RSA160200	1600		150	4 5								
100 Series 1800 to 2300kg												
RSA180250	1800	To Customer Specification		158	100	150	17	80	160	65	200	4 5 6
RSA190250	1900		177	4 5								
RSA200250	2000		177	4 5								
RSA230300	2300		202	6 7								
120 Series 3000 to 3500kg												
RSA300300	3000	To Customer Specification		215	120	150	18	90	226	80	274	6 7
RSA350308	3500		202	7								

STANDARD WHEEL STUD PATTERNS					
1	4 x 1/2" on 5 1/2" PCD	4	5 x 1/2" on 6" PCD	8	4 x M12 on 98mm PCD
2	4 x M12 on 100mm PCD	5	5 x M14 on 140mm PCD	9	4 x 3/8" on 4" PCD
3	5 x 1/2" on 4 1/2" PCD	6	5 x 5/8" on 6 1/2" PCD	10	5 x M12 on 112mm PCD
		7	6 x M18 on 205mm PCD		

All Axles are fitted with Welded Trailing Arms and EU Approved Auto Reverse Brakes
 80 series axles are available with detachable stub axles as shown, at extra cost
 Alternative Trailing Arm Angles and Mounting Bracket Styles are also available. Ask for details

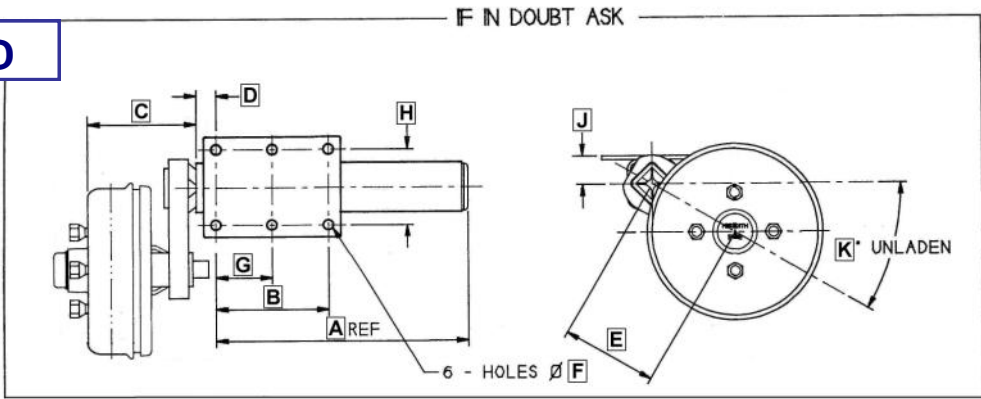
Rubber Suspension Units 300kg to 900kg

UNBRAKED



TYPE	CAPACITY KG	A	B	C	D	E	F	G	H	J	K°	PCD
RSU030505	300	238	152	S 81 L 106	22	76	9.5	76	79	28	45	9
RSU050505	500			S 81 L 106								9
RSU0501345	500			112								2 9
RSU075505	750	327	146	S 107 M 127 L 143	26	124	13	73	98	37	28	9
RSU0751443	750			144								1 2 3 8

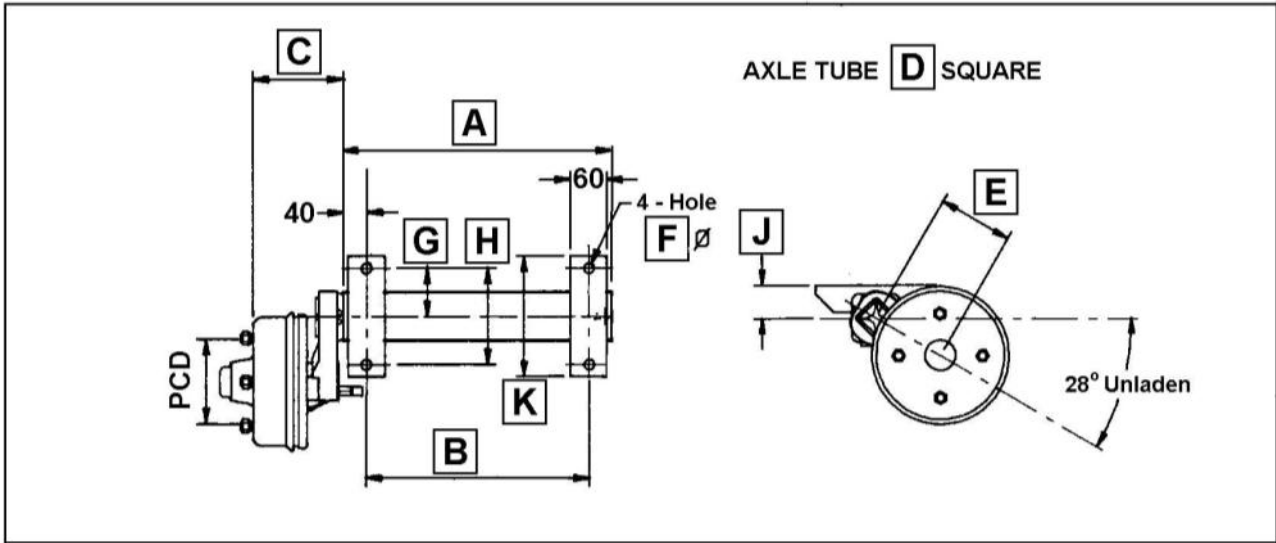
BRAKED



TYPE	CAPACITY KG	A	B	C	D	E	F	G	H	J	K°	PCD
RSU050160	500	238	152	121	22	76	9.5	76	79	28	45	2 9
RSU090160	900	327	146	S 129 L 145	26	124	13	73	98	37	28	2 9
RSU090203	900			144								1 2 3 8

All Units are fitted with Welded Trailing Arms.
Braked Units are fitted with EU Approved Auto Reverse Brakes.

Braked Rubber Suspension Units 1300kg to 3000kg



TYPE	CAPACITY KG	A	B	C	D	E	F	G	H	J	K	PCD
80 Series 1300 to 1600kg												
RSA130203	1300	420	340	144	80	124	14	80	160	55	200	1 3 4 5 6 10
RSA150200	1500			150								1 3 4 5 6 10
RSA160200	1600			150								4 5
100 Series 1800 to 2300kg												
RSA180250	1800	420	340	158	100	150	17	80	160	65	200	5 6
RSA190250	1900	420		177								4 5
RSA200250	2000	520		177								4 5
RSA230300	2300	520		202								6 7
120 Series 3000kg												
RSA300300	3000	510	430	215	120	150	18	90	226	80	274	6 7

All Units are fitted with welded trailing arms.
Braked Units are fitted with EU Approved Auto Reverse Brakes